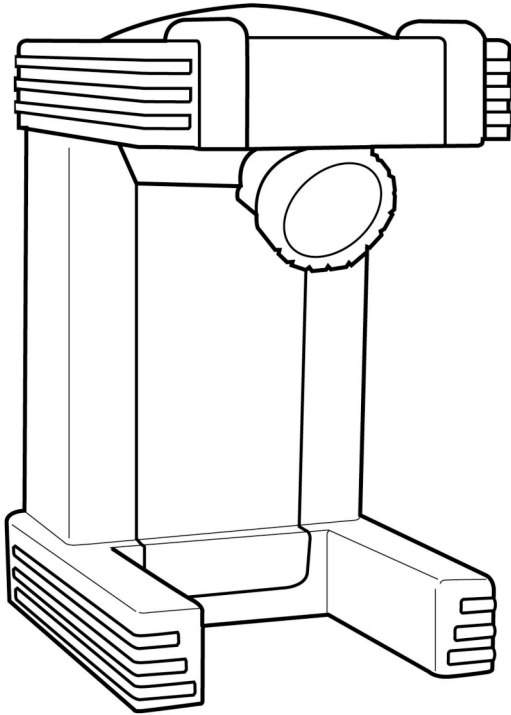


**SINGLE CONE
RETRO SNOW CONE MAKER™**
Model # RSM-702



For Household Use Only!

**Read These Instructions Before Using
This Unit!**

Save These Instructions!

IMPORTANT SAFEGUARDS

When using electrical appliances, basic safety precautions should always be followed, including the following:

1. Read all instructions before operating this appliance.
2. DO NOT TOUCH hot surfaces. Keep hands away from blade mechanism. Use handles or knobs.
3. To protect against electrical shock, do not immerse cord, plug or any part of this unit in water or other liquids.
4. Close supervision is necessary when any appliance is used by or near children.
5. Unplug from outlet when not in use and before removing parts and before cleaning.
6. DO NOT operate any appliance with a damaged cord or plug or if the appliance has been damaged in any manner. Return the appliance to the nearest repair shop for examination or repair or send back to company as stated in this booklet in the warranty.
7. The appliance manufacturer does not recommend the use of accessory attachments. This may cause injuries.
8. DO NOT use outdoors.
9. DO NOT let the cord hang over the edge of table or counter tops, or touch hot surfaces.
10. DO NOT place on or near a hot gas or electric burner, or in a heated oven.
11. Extreme caution must be used when moving this appliance.
12. DO NOT use the appliance for other than its intended use.
13. A unit that is plugged into an outlet should not be left unattended.
14. Check ice hopper for presence of foreign objects prior to use.
15. Blades are extremely sharp. **Use with extreme caution.**
16. DO NOT place on or near a hot gas or electric burner, or in a heated oven.
17. A short power supply cord is provided to reduce the risk resulting from becoming entangled or tripping over a long cord.
18. Longer detachable power supply cords can be used if care is exercised in their use.
19. The marked electrical rating of an extension cord should be at least as great as the electrical rating of the appliance.
20. This appliance has a polarized plug (one blade is wider than the other). To reduce the risk of electrical shock, this plug is intended to fit into a polarized outlet only one way.

SAVE THESE INSTRUCTIONS!

IMPORTANT PRECAUTIONS

Appliance Specifications:

120 Volts
60HZ
0.35 Amps
40 Watts
ETL Approved

Important Precautions to Remember:

- A. NEVER immerse in water.
- B. NEVER use near water.
- C. NEVER use an abrasive sponge or cloth.
- D. NEVER use a scouring pad on the unit.
- E. NEVER leave unit unattended while in use.
- F. NEVER try to force the cover in the locking mechanism.
- G. Unplug unit from outlet when not in use and when cleaning.
- H. DO NOT operate this appliance with a damaged cord or plug or in the event the appliance ever malfunctions.
- I. DO NOT put in dishwasher.
- J. Keep out of reach of children.

INTRODUCTION

Thank you for purchasing The SINGLE CONE RETRO SNOW CONE MAKER™. As you can see, this nostalgic looking appliance resembles the carnival style carts of the early 1900s. Though it may be designed to look like a nostalgic cart of the past, The SINGLE CONE RETRO SNOW CONE MAKER™ is in fact a technologically modern snow cone maker.

The SINGLE CONE RETRO SNOW CONE MAKER™ uses ice cubes from your freezer to create:

- **Snow Cones**
- **Slushies**
- **Smoothies**
- **Low Fat Snacks**

The SINGLE CONE RETRO SNOW CONE MAKER™ is designed for kitchen use but can be used in a number of locations such as:

- **Family Rooms**
- **Dorm Rooms**
- **Offices**
- **Club Houses**

And more...

INTRODUCTION

Now you can enjoy icy, cool snow cones to snack on when.....

- **Watching TV or a Movie at Home**
- **Throwing a Party**
- **Listening to music**
- **Craving a Low fat Treat**
-

And more...

The SINGLE CONE RETRO SNOW CONE MAKER™ is easy to use, just follow these simple instructions:

After Taking the Unit Out of the Box

- A. Your SINGLE CONE RETRO SNOW CONE MAKER™ is already fully assembled. Before first use, lift the removable top off of the body and wipe clean the inside of the unit with a non-abrasive moist sponge, a non-abrasive towel, or a damp cloth followed by a non-abrasive dry towel.
- B. After cleaning the inside, put the top back on the base of the unit.
- C. Now you are ready to enjoy cool, refreshing icy snacks from your SINGLE CONE RETRO SNOW CONE MAKER™.

USING YOUR SINGLE CONE RETRO SNOW CONE MAKER™

First, find a stable surface near an electrical outlet before starting. (Make sure your cord is away from any water source. If needed, it is acceptable to use an extension cord.)

1. Before plugging in your unit, add ice cubes by removing the clear top from your SINGLE CONE RETRO SNOW CONE MAKER™. In order to do so, turn the clear top clockwise, lift and remove. Once you have done this, plug in the unit.

For Optimal Ice Shaving Results – Your ice cubes should sit a short while before putting them in the shaving unit. If your ice has a frosty look, it is much too hard to shave. If your ice sits long enough to look clear and it is wet to the touch, then it is ready to make your SINGLE CONE RETRO SNOW CONE MAKER™ experience a fun one.

2. When ice cubes are ready, place cubes in the shaving unit allowing enough room for the lid to be placed back on the unit easily.
3. Place a cone in the snow cone holder so the shaved ice does not spill onto your countertop.
4. Return the clear lid to the unit and turn counter-clockwise to the ON position. This will activate the unit to begin shaving. (To turn "OFF" simply turn the lid clockwise.)
5. Repeat steps 3 and 4 until you have shaved the amount of ice desired. Make sure to unplug when you are finished.
6. Use the recipes found on the next page to create your favorite snow based treats!

CLEANING

1. Make sure the unit is unplugged before cleaning.
2. Lift top housing to clean and dry inside of unit.
3. Use slightly damp, non-abrasive sponge or non-abrasive towel to wipe clean outside of unit, then wipe with a non-abrasive dry towel to dry.

The shaving unit and clear lid are dishwasher safe. To take out the shaving unit, simply turn it in a counter-clockwise direction and it will unscrew .

IMPORTANT: The blade is very sharp. When cleaning use **EXTREME CAUTION** when handling.

The cone holder shelf on the outside of the unit is also removable for cleaning.

Display your SINGLE CONE RETRO SNOW CONE MAKER™ with pride and have a cool day!

RECIPES

Your SINGLE CONE RETRO SNOW CONE MAKER™ makes light and fluffy mounds of ice that can be used to make:

SNOW CONES – By adding your choice of your favorite flavored syrup. Add more than one flavor to increase the fun and vary the flavor by creating *Rainbow Snow Cones*.

SLUSH DRINKS – By filling a glass with freshly shaved ice and adding your favorite soft drink or flavored tea or fruit juices.

FRUITY SLUSH – By filling a serving cup with freshly shaved ice, adding flavored syrup and topping with chopped fruit of your choice.

YOGURT SNOW – By pre-freezing your favorite flavored yogurt in ice cube trays, you can use your SINGLE CONE RETRO SNOW CONE MAKER™ to shave the yogurt cubes and make a refreshing, healthy treat. Add flavored syrup for even more flavor.

SNOW SMOOTHIES – By freezing ½ cup of milk in ice cube trays, you can use your SINGLE CONE RETRO SNOW CONE MAKER™ to shave the cubes. Place the shaved cubes and fresh strawberries or your choice of fruit in a blender. Add 1/4 of sugar for sweetness, then blend until smooth to your desired consistency.

JUICY TREATS – By freezing your favorite juice in ice cube trays, you can use your SINGLE CONE RETRO SNOW CONE MAKER™ to shave the cubes to create a healthy, juicy treat.

Use your imagination with different fruits, syrups, sodas, teas and juices to create any number of refreshing, icy, healthy, low fat treats, drinks, and desserts that will delight kids of any age

RETURNS & WARRANTY

SHOULD YOUR UNIT NOT WORK OR IS DAMAGED WHEN YOU FIRST TAKE IT OUT OF THE BOX, PLEASE RETURN IT TO THE PLACE OF PURCHASE IMMEDIATELY.

Should you have any questions, please contact us via email or at the customer service number listed below between the hours of 8:00 AM and 5:00 PM, Monday through Friday, Central Standard Time.

Distributed by:

Nostalgia Products Group LLC
1471 Partnership Dr.
Green Bay, WI 54304-5685

Customer Service

Phone: (920) 347-9122
Web: www.nostalgiaelectrics.com

Customer Service Inquiry

To submit a Customer Service inquiry, go to www.nostalgiaelectrics.com and fill out the **Customer Service Inquiry** form and click the Submit button. A representative will contact you as soon as possible.

Single Cone Retro Snow Cone Maker™ RSM-702 Limited Warranty

This appliance is designed and built to provide many years of satisfactory performance under normal household use. The distributor pledges to the original owner that should there be any defects in material or workmanship during the first 90 days of purchase, we will repair or replace the unit at our option. Our pledge does not apply to damages caused by shipping, mishandling or unit being dropped. A product deemed defective either from manufacturing or being mishandled is up to the distributor's discretion. To obtain service under this warranty, return this unit to Nostalgia Products Group, LLC at the address above, shipping prepaid. You must also include a copy of the original receipt along with your name, address and phone number. Include a description of the defect along with the date you purchased the product.

This warranty does not apply to re-manufactured merchandise.

Please read these instructions carefully. Failure to comply with these instructions, damages caused by improper replacement parts, abuse or misuse will void this pledge to you and is being made in place of all other expressed warranties.



Nostalgia Products Group LLC
1471 Partnership Dr.
Green Bay, WI 54304-5685

Visit Us Online at
www.nostalgiaelectrics.com

©2009 Nostalgia Products Group LLC